

MATERIAL

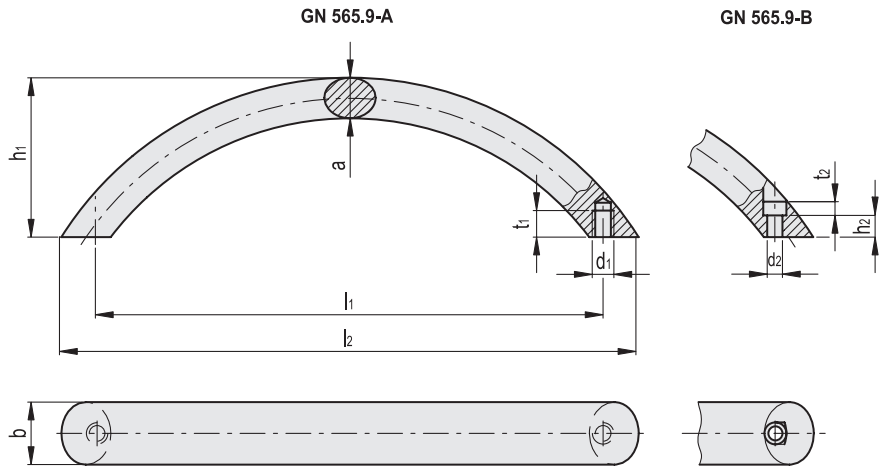
AISI 304 stainless steel, sandblasted matte finish.

STANDARD EXECUTIONS

- **GN 565.9-A:** threaded blind holes, back mounting.
- **GN 565.9-B:** pass-through holes for cylindrical-head screws with hexagon socket, front mounting.

SPECIAL EXECUTIONS ON REQUEST

Different lengths.



Conversion Table
1 mm = 0.039 inch

l2		d2	
mm	inch	mm	inch
185	7.28	5.3	2.09
221	8.70		

Code	Description	b	l2	l1	d1	d2	a	h1	h2	t1 min	t2	⚖️	INOX	STAINLESS	METRIC
													STAINLESS	STEEL	
GN.27451	GN 565.9-20-160-A-MT	20	185	160±0.25	M6	-	13	51	-	8.5	-	318	INOX	STAINLESS	METRIC
GN.27452	GN 565.9-20-160-B-MT	20	185	160±0.25	-	5.3	13	51	5	-	5	306	INOX	STAINLESS	METRIC
GN.27456	GN 565.9-20-192-A-MT	20	221	192±0.25	M6	-	13	51	-	8.5	-	366	INOX	STAINLESS	METRIC
GN.27457	GN 565.9-20-192-B-MT	20	221	192±0.25	-	5.3	13	51	5	-	5	350	INOX	STAINLESS	METRIC